

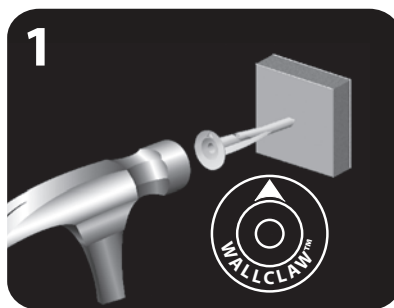


**MADE IN USA**

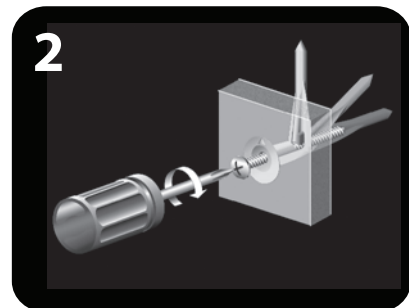


# WallClaw Hammer-In Drywall Anchors

For hanging items on 1/2" and 5/8" drywall.  
Kitchen, bath, art, shelving, closet and many other fixtures.



**1**  
Gently tap anchor into wall with arrow pointed up.



**2**  
Attach fixture with blunt tip screws (included).

- 90 lbs. (1/2" wall) and 125 lbs. (5/8" wall) maximum hanging load is only a guide.
- Maximum hanging load may vary, based on quality and thickness of drywall and dimensions of object being hung.
- Maximum thickness of fixture should not exceed 1/8-inch.
- Not intended for use in studs or for ceiling applications.

**Limited Warranty.** These products are sold 'AS IS' without any expressed or implied warranties. WallClaw Anchor's sole liability, if any, shall be to replace this product or refund the purchase price. The performance of these products is subject to variable conditions. Maximum load ratings are shown for comparison only.



## WallClaw Anchors

PO Box 17127  
Reno, NV 89511  
(775) 525-9595  
sales@wallclaw.com  
www.wallclaw.com